

NovikStone RR River Rock INSTALLATION GUIDE



GENERAL INFORMATION

CAUTION: REMEMBER THAT POLYMER UNDERGOES EXPANSION/CONTRACTION DUE TO VARIATIONS IN TEMPERATURE. THE FOLLOWING INSTRUCTIONS WILL ALLOW FOR THE EXPANSION / CONTRACTION OF THE MATERIAL.

1-Always begin the installation at the lowest part of the structure, from left to right.

2-Always nail through the installation holes. These holes include a polymer film, which permits for precise centering of the nail, allowing the expansion and contraction of the material. Each complete panel must be nailed through the center hole, at both extremities and have a minimum of 5 nails in the nailing channel at maximal intervals of 16"(40,64cm) or less and one nail in each lateral hole (Figure 1). If panels are installed on a furring wall, furring strips should be at 8"(20,32cm) center to center and a furring strip is required behind each nail. Always use corrosive resistant nails or screws with a head of 0.4"(1cm) in diameter and a body of 0.150"(0,38cm) in diameter and penetrate a minimum of 1 1/4"(3,18cm) into a solid surface.

3-Never hammer the nails in completely; leave a gap of 1/16"(0.16cm). The stoppers located around the holes stop the hammer from driving the nails in too far, and provides the required gap. (Figure 2)

4-Make sure that all pieces are properly joined together (Figure 3).

5-When using trim (ex. Novik One-Piece Trim), leave a space of 1/4"(0,64cm) between the inside wall of the trim and the siding. (Figure 4)

Note:

-To cut the material, it is recommended to use a circular saw with a finishing blade.

-Keep the R-E-L number of your products (ex: REL-123456) for future references.

Figure 1

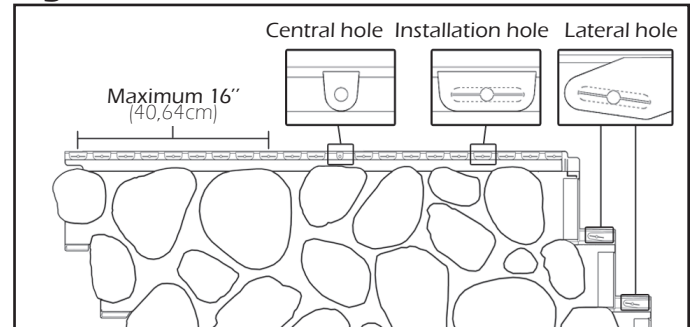


Figure 2

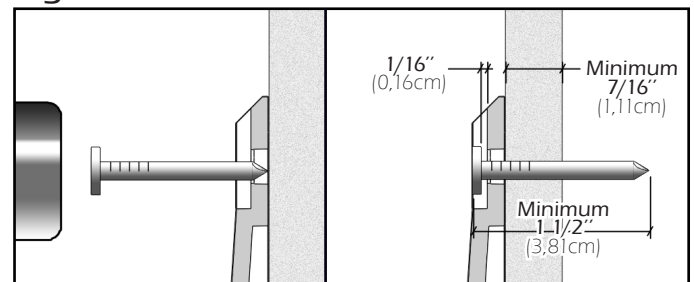


Figure 3

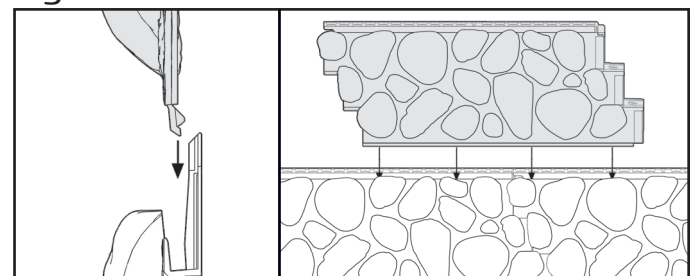
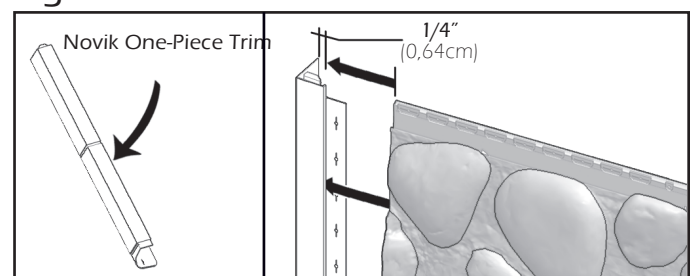


Figure 4



INSTALLATION STEPS

1-First install the starter strips at the lowest point of the structure. Make sure that the horizontal starting line is perfectly leveled and square with the wall.

- Polymer Universal Starter Strip (Figure A):

Leave a 2 1/2" (6,35cm) gap at each end of the wall when using Novik One-Piece Trim or decorative corners (1). If a floor is against the wall you must leave a gap of 1 5/16" (3,33cm) between the starter and the floor (2). If there is no floor, starter strips should be flush with the base of the wall. Nail the starter strips through the nailing holes at maximal intervals of 8" (20,32cm) or less. Do not forget to nail in the center hole (3). Install the next starter strip by sliding it leftward to the stopper in the previous one and nail it as mentioned above (4).

Note: For an installation with Novik Two-Piece Trim at the bottom of the wall, refer to «Alternative finishes at the base of walls» section at the page 5 of the guide.

2-Important: For the first rows panels only, an extra piece of starter strip is required on back of each panel. Cut a 36" (91,44cm) length of a polymer universal starter strip and screw it onto bumps at the bottom of the panel back. Use corrosive resistant screws #8 3/4" to fasten the starter strip (Figure B). This will allow installation of the first rows panels on the starter strips previously installed on walls.

3-When using One piece Trim 2", cut the left side of a panel in a straight line, insert panel into starter strip and slide it under the Novik One-Piece Trim (Figure C). Leave a space of 1/4" (0,64cm) between inside wall of trim and the siding. Measure the wall length to determine where to cut your first panel in order to avoid having a very small piece at the right end of the wall. Be sure to align adjacent walls (Figure C).

Figure A

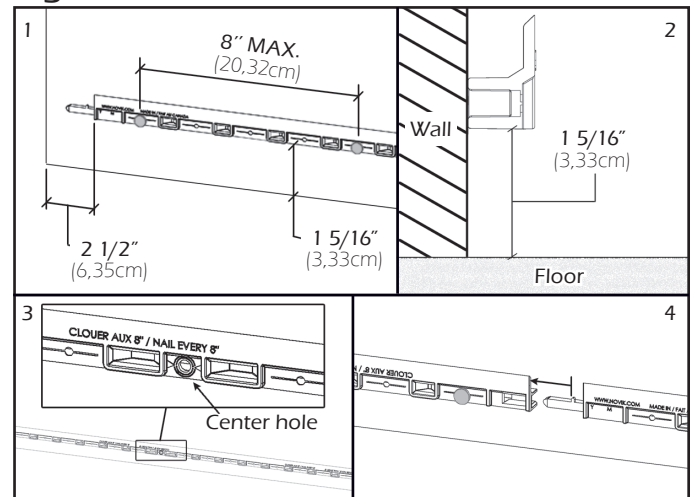


Figure B

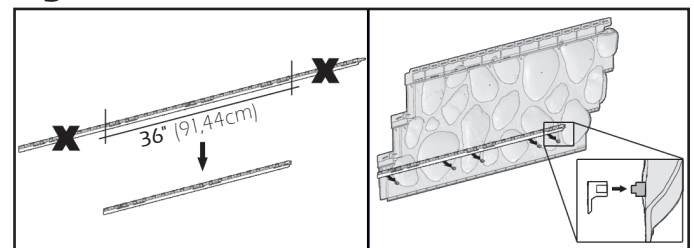
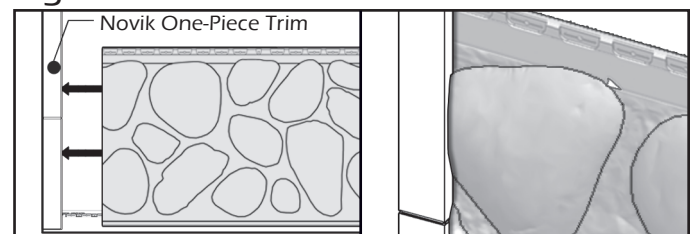


Figure C



NovikStone RR River Rock INSTALLATION GUIDE

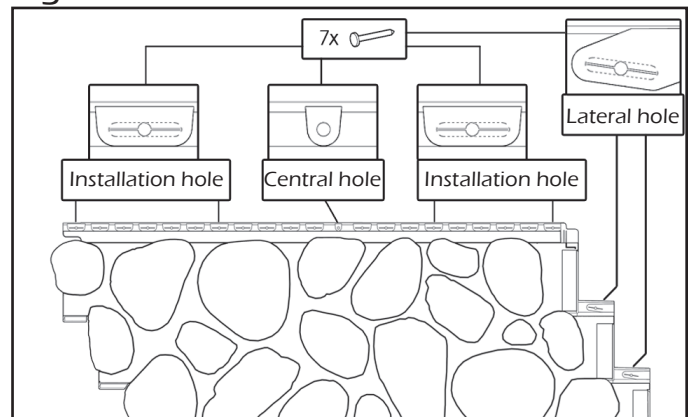


INSTALLATION STEPS (CONTINUATION)

4-On each panel, hammer a nail into the center hole of the panel (Figure D), this will ensure even movement of panel in both directions during expansion/contraction. Hammer a nail into the last hole on both ends and into the lateral holes. If the panel is installed on a furring wall, a furring strip is required behind these holes.

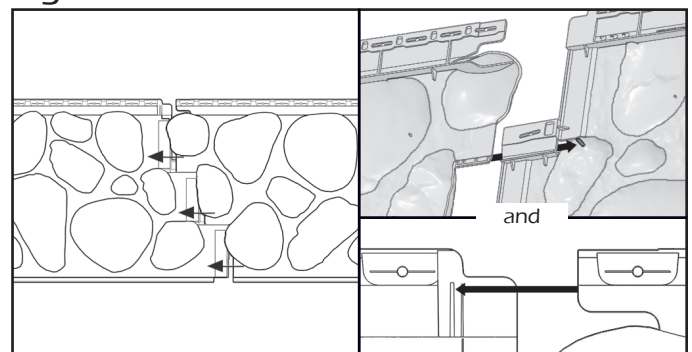
Note: If a panel piece does not have the initial center hole in the middle, drill a new center hole of 1/8"(0.32cm) diameter at the same height as the other installation holes. Each full length panel should be secured with a minimum of 5 nails plus the nail into the lateral hole.

Figure D



5-Cut another 36"(91,44cm) length of starter strip and screw it as mentioned in step 2. Hook the second panel into the starter strip and slide it over the previous panel. Make sure that the tabs on both sides are locked together and spaced equally. If installed at outdoor temperature over 68°F(20°C), slide panel to the stoppers located at the back of panel. When resistance is felt, do not force insertion of part. Use reference line located in front of panel to validate the positioning (Figure E). If installed at outdoor temperature under 68°F(20°C), adjust the panel to the temperature line indicated (Figure F). Repeat this step until the end of wall.

Figure E



6-Start the second row by cutting the first panel with 16"(40,6cm) increment from the cutting line of the first row. Slide the hooks located at the bottom of the panel into the top of the previously installed row. Proceed with this row and subsequent ones following steps 3 and 4 taking care with each new row to alternate the position of the cut on the first panel (Figure G). Be sure to finish one wall before beginning another.

Figure F

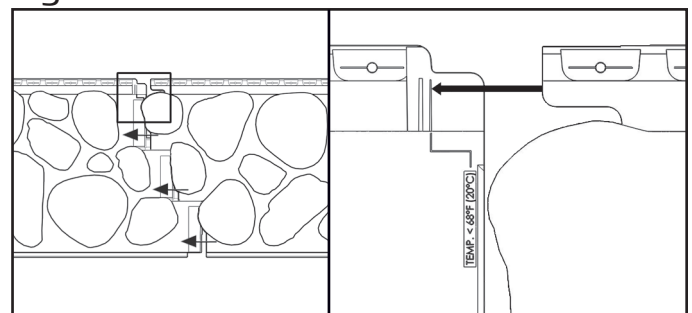
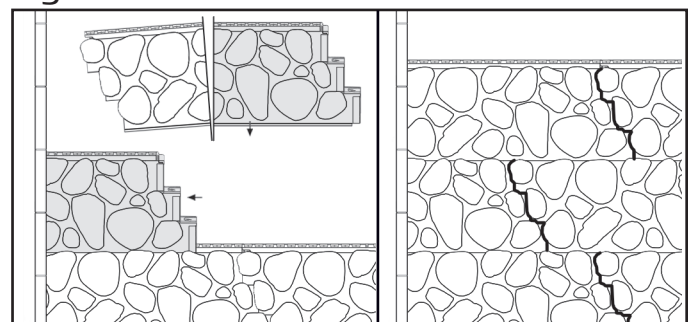


Figure G



NovikStone RR River Rock INSTALLATION GUIDE

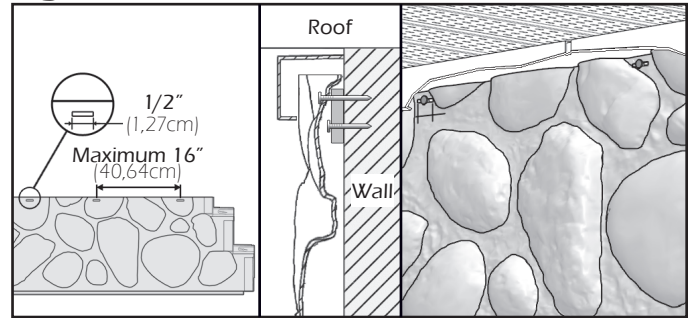


INSTALLATION STEPS (CONTINUATION)

7-For the last row or places where you may need to attach siding other than in installation holes at a concealed spot on the panel use a knife to create new 1/2" (1,27cm) slots (Figure H); the slot must be wider than the nail but not as wide as the nail head. Although not set in installation holes, this type of cutting will allow the expansion/contraction movement of siding.

Note:
For proper installation & optimal appearance, shim as required to adjust the angle of the last row as needed.

Figure H



Some elements of the image above were cut to facilitate the understanding.

ALTERNATIVE FINISHES AT THE BASE OF WALLS

1-You may install the first rows of panels with Novik Two-Piece Trim at wall's bottom in order to have a neater appearance. To do this, install starter strips at 1 13/16" (4,60 cm) from wall's bottom or above the ground and install Novik Two-Piece Trim Base under them (1). Continue the usual installation of the guide from step no: 2. Once the first row of wall is completed, install a Novik Two-Piece Trim Top to the desired depth (2) (Figure I and Figure I.1).

Figure I

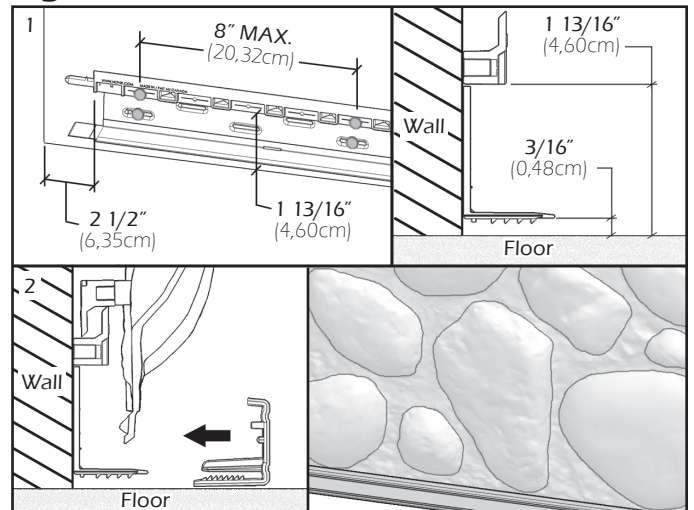
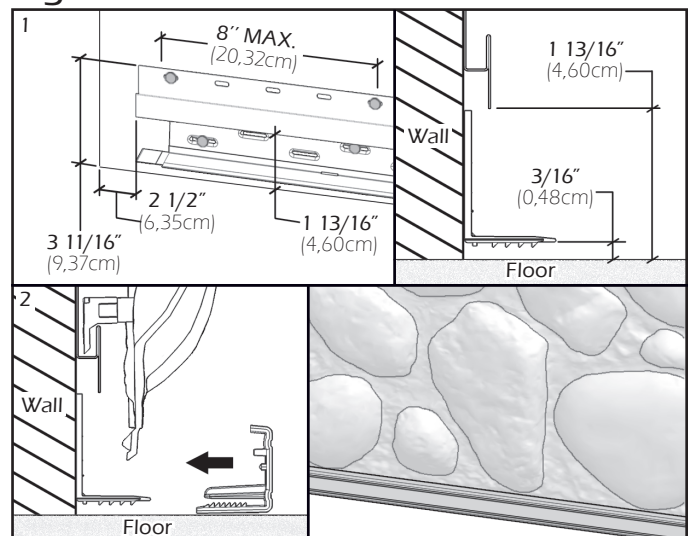


Figure I.1



NovikStone RR River Rock INSTALLATION GUIDE



CORNERS INSTALLATION

1-Locate where you want to install 3" *Siding Corner* and make sure you have a solid surface for nailing into. If installing on a wall with furring, make sure to install furring strip on the nailing locations.

2-Install the first Base at the lowest point of the structure of a wall corner. If the lowest point is against the floor, leave a space of $3/32"$ (0,24cm) below the Base, because once the Top snapped onto the Base, it will be slightly lower than the bottom of the Base (Figure J). Once the Base is correctly positioned, nail it to the wall with a minimum of three nails on each side (Figure J).

3-Install another Base on the corner of the wall by sliding it downward and stop at the stoppers located at the top of the lower Base (Figure K). Then nail as mentioned in the previous step. Repeat until top of the wall corner.

4-For the last Base, cut its excess and place it on the wall in the same way as described in the previous step. Nail each end of the Base and depending on its length, add a third nail in the center of the Base to solidify it (Figure L).

5-Install the siding on walls according to the installation steps. Make sure to leave a gap of $1/4"$ (0,64cm) between the end of panels and Bases (Figure M).

Figure J

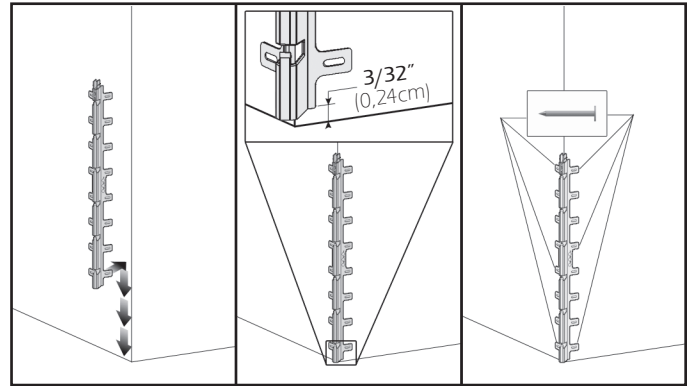


Figure K

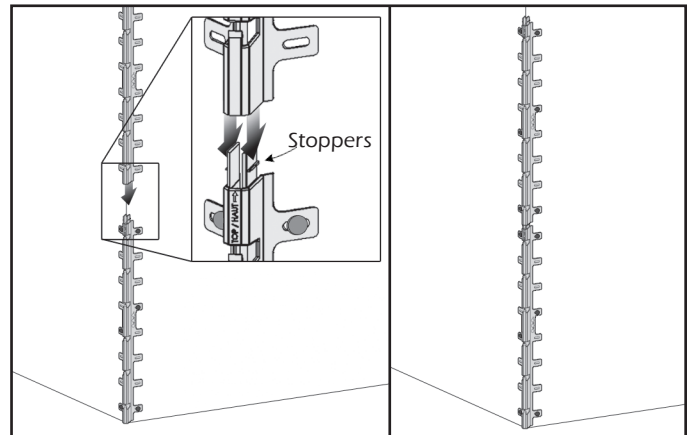


Figure L

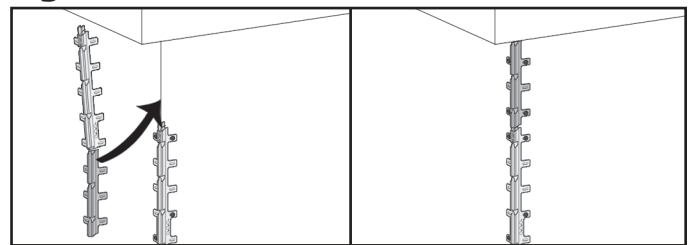
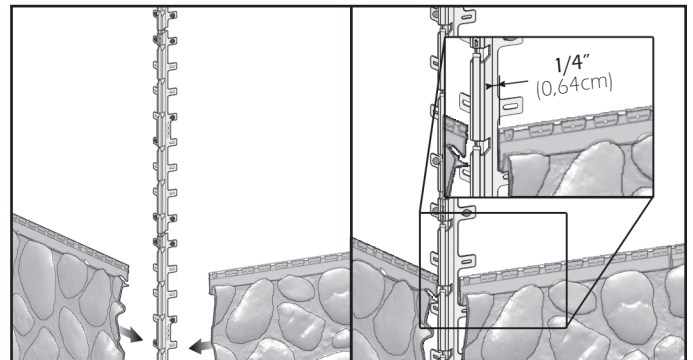


Figure M



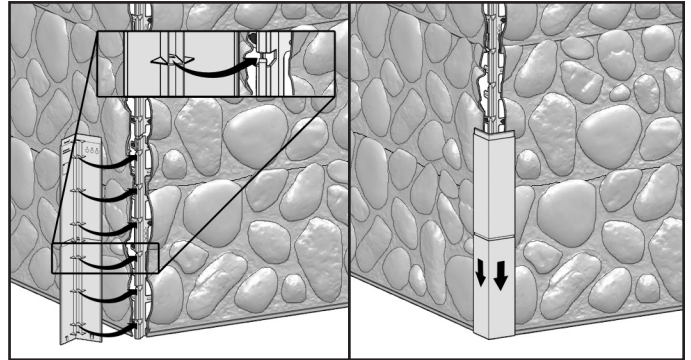
NovikStone RR River Rock INSTALLATION GUIDE



CORNERS INSTALLATION (CONTINUATION)

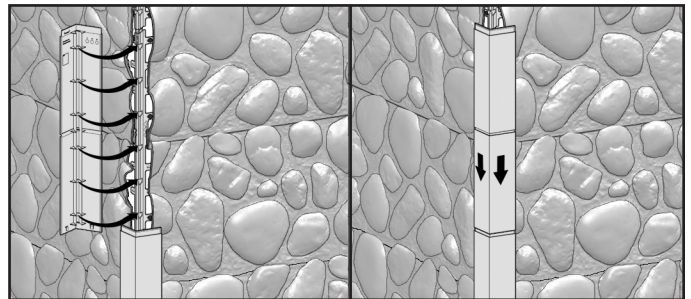
6-Install a first Top on the first Base at bottom of the wall. To do this, insert the Top part tabs into the openings located on the Base and slide all the way in and then push downward to engage the hook system (Figure N).

Figure N



7-Install another Top on the following Base in the same way as described in the previous step. Make sure to overlap the upper section of the lower Top (Figure O). Repeat until the last full section is installed.

Figure O



8-For the last Top, measure the remaining distance to cover and cut the Top 1/2"(1,27cm) shorter than the distance to cover. Install the Top on the last Base as described in the previous step (Figure P).

Figure P

