


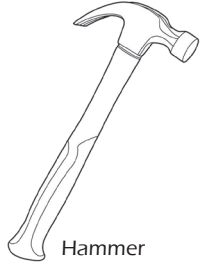
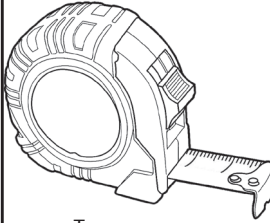

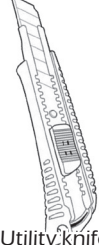
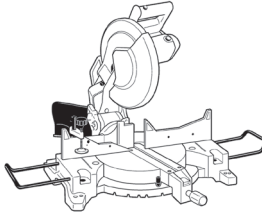
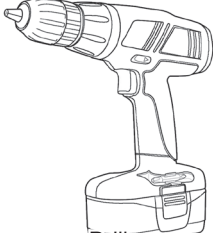
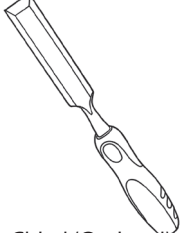

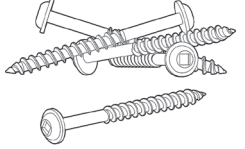
# NovikStone Premium Ledge INSTALLATION GUIDE



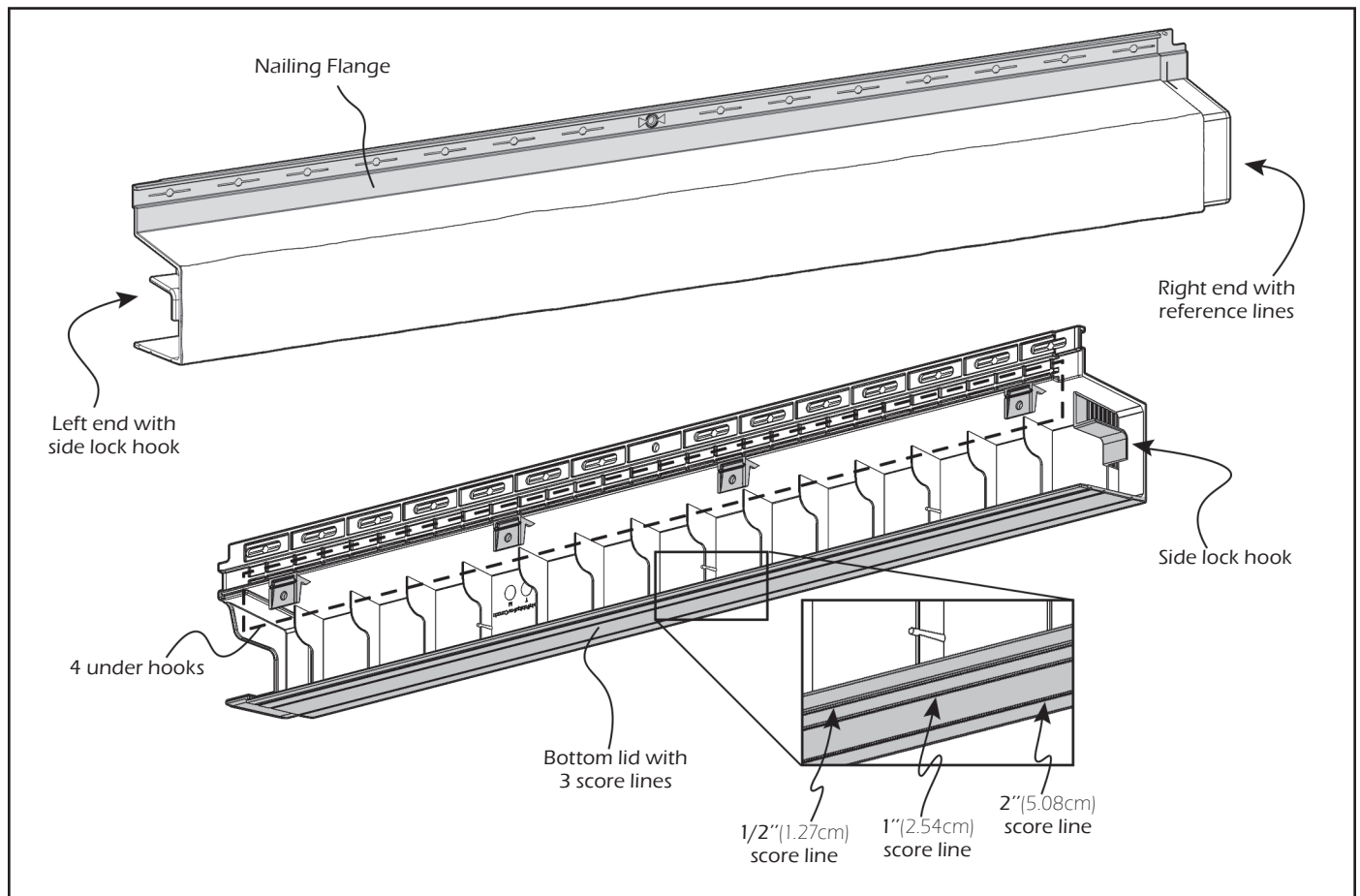
## GENERAL INFORMATION

**CAUTION: REMEMBER THAT NOVIK PRODUCTS UNDERGO SLIGHT EXPANSION/CONTRACTION DUE TO VARIATIONS IN TEMPERATURE. THE FOLLOWING INSTRUCTIONS WILL ALLOW FOR THE EXPANSION / CONTRACTION OF THE MATERIAL.**

Tools and hardware required for the installation:

 <p>Level</p>	 <p>Hammer</p>	 <p>Tape measure</p>	 <p>Snips</p>	 <p>Utility knife</p>
 <p>Miter saw with finish blade</p>	 <p>Drill</p>	 <p>Chisel (Optional)</p>	 <p>Non-corrosive nails with a head diameter of 0.4"(1cm), a shank of 0.15"(0.38cm) and a length of at least 1 1/2"(3.81cm)</p>	 <p>Or Non-corrosive screws with a washer head or pan head and minimum length of 2 1/2"(6.35cm) if using with NovikStone Corners</p>

## Product Illustration



# NovikStone Premium Ledge INSTALLATION GUIDE



## GENERAL INFORMATION (CONTINUATION)

1-Locate where you want to install the Premium Ledge and make sure you have a solid nailing surface in these locations. If installing on a furred wall, make sure to install furring on these nailing locations. To attach the Premium Ledge, always use non-corrosive nails or screws that penetrate a minimum of 1 1/4" (3.18cm) into a solid surface.

2-Always nail through the installation holes. These holes are surrounded by a membrane which allows a precise centering of the nail and the expansion/contraction of the material. Each Premium Ledge must be nailed through the center hole and at both ends (Figure 1). If a ledge is cut and does not have the initial center hole, drill a new center hole of 1/8" (0.32cm) diameter at the same height and between the other installation holes and nail through it.

3-Never hammer the nails in completely; leave a gap of 1/16" (0.16cm) between the ledge nailing flange and the nail head. The stoppers located around the holes stop the hammer from driving the nails in too far, and provides the required gap (Figure 2).

4-Make sure that all pieces are properly inserted into one another and spaced correctly. Adjust ledges to the stopper and/or to the reference line (Figure 3).

Note:  
Keep all the different R-E-L numbers (ex: REL-123456) of your products located on the back for future references (Figure 4).

Figure 1

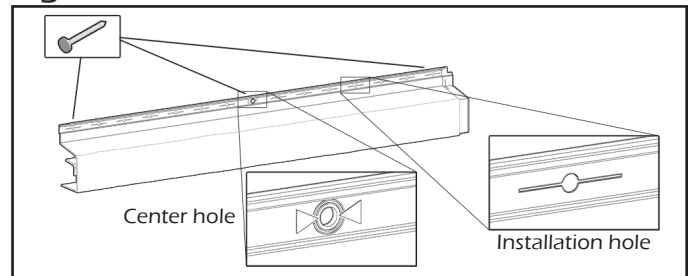


Figure 2

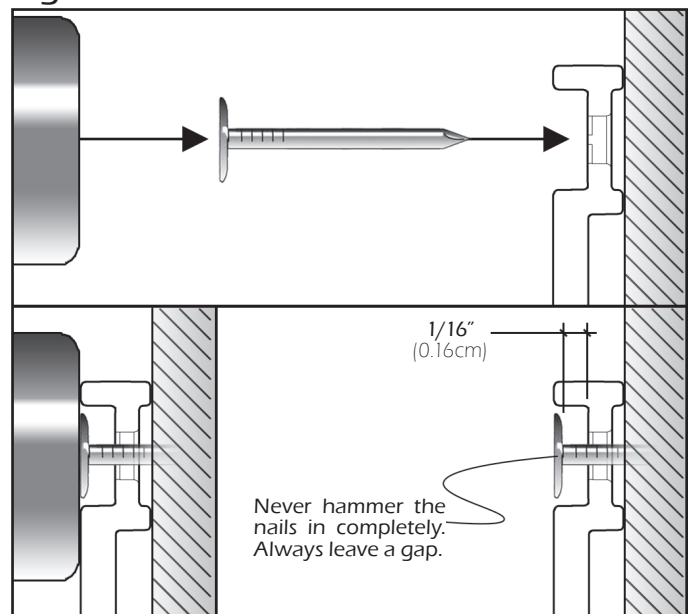


Figure 3

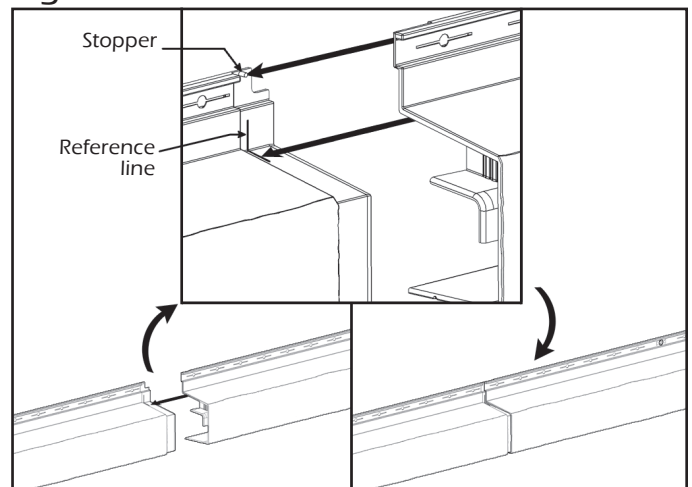
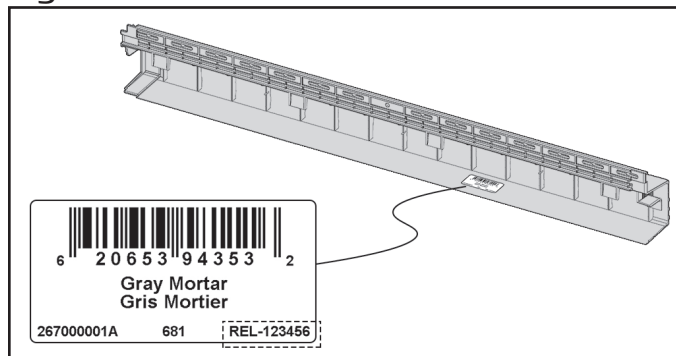


Figure 4



# NovikStone Premium Ledge INSTALLATION GUIDE



## INSTALLATION STEPS

**Note:** Before proceeding to the installation of any Premium Ledge parts, install the Novik panels on the lower section of the wall up to the desired height and as specified in their own installation guide. Then, it is recommended to install Premium Ledge Corners and/or End Caps on the wall before installing the Premium Ledges.

### OUTSIDE PREMIUM LEDGE CORNER

1-First, install Premium Ledge Corner on an outside corner of two adjacent walls by following one of the two options below. (Figure A)

Option 1: Premium Ledge above a full Novik panel with the panel nailing flange still attached

**A#** Using snips, cut the bottom lid of the Premium Ledge Corner and trim to provide clearance between the ledge corner and the wall.

-For uses over Novik Hand Cut Stone, create a 13/16" (2.06cm) clearance.

-For uses over Novik Premium Hand Cut, Novik Cobblestone and Novik Brick, create a 1 1/8" (2.86cm) clearance. In all cases, the cut portion should be extended on the first ledge on each side of the Premium Ledge Corner to have an overall gap of about 5 3/8" (13.65cm) wide to prevent interference between the ledge and the Novik corner of the lower section of the wall. Install the Premium Ledge Corner 2 7/8" (7.30cm) above the nailing flange of the Novik panels (Figure A, Option 1 #A).

**B#** For uses over Novik Dry Stack, Novik River Rock and Novik Fieldstone, no need to create any clearance. The top of the Novik corner should be cut at the same height of the stones on Novik panels in order to be able to sit the ledge corner over it (Figure A, Option 1 #B).

Option 2: Premium Ledge above a cut Novik panel where the panel nailing flange was removed

Using snips, cut the bottom of the Premium Ledge Corner and trim to provide clearance between the wall and the ledge corner to prevent interference with the Novik corner.

-For uses over Novik Cobblestone, Novik Premium Hand Cut and Novik Brick, create a 1 3/4" (4.45cm) clearance and extend it on the first ledge on each side of the corner to have an overall gap of 6 1/4" (15.88cm) wide.

-For uses over Novik Hand Cut Stone, create a 1 3/8" (3.49cm) clearance and extend it on the first ledge on each side of the corner to have an overall gap of 6" (15.24cm) wide.

-For uses over Novik Dry Stack, create a 1 3/8" (3.49cm)

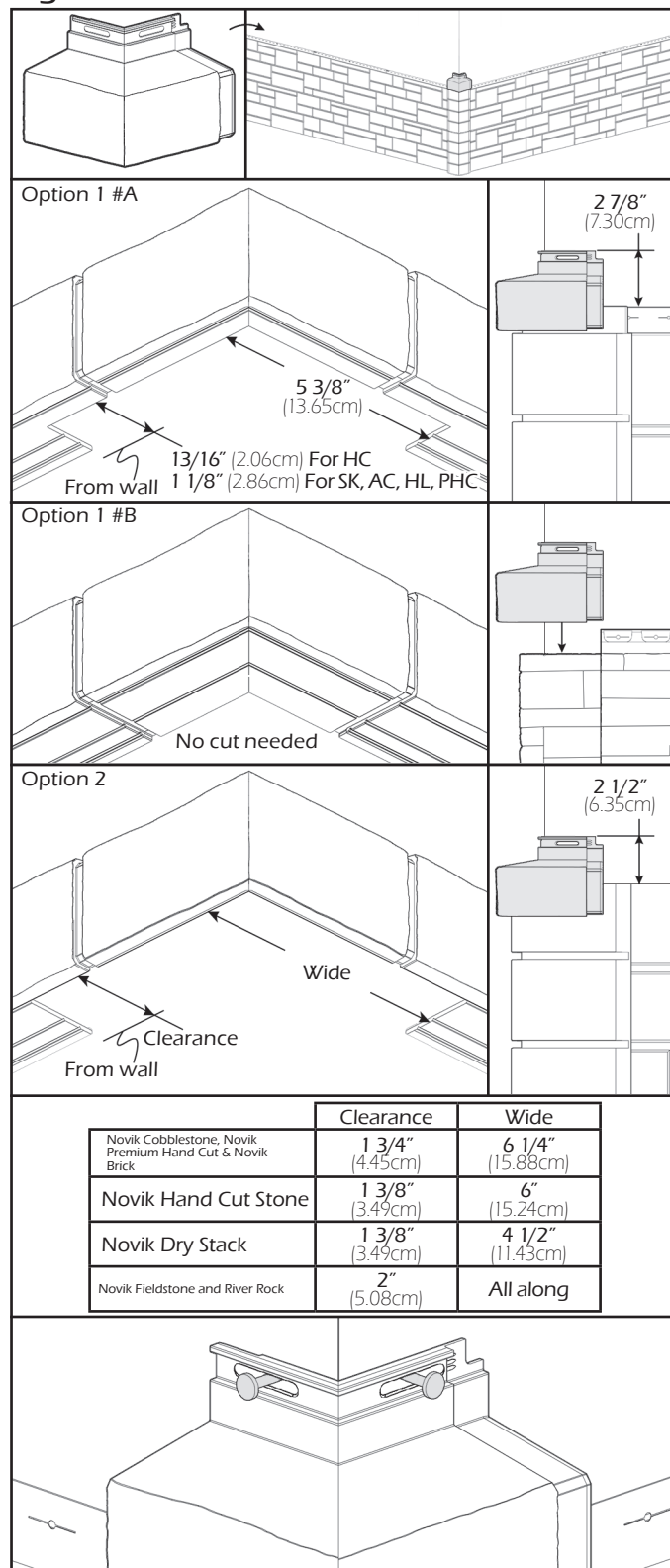
clearance and extend it on the first ledge on each side of the corner to have an overall gap of 4 1/2" (11.43cm) wide.

-For uses over Novik Fieldstone and Novik River Rock, cut the bottom of the Premium Ledge Corner and trim at the 2" (5.08cm) score line.

In all scenarios, install the ledge corner in order to have the top of the nailing flange 2 1/2" (6.35cm) above Novik panel and corner (Figure A, Option 2).

Then, nail into the installation holes located on each side of the Premium Ledge Corner. Make sure both sides are level and fasten using one nail on each side (Figure A).

Figure A



	Clearance	Wide
Novik Cobblestone, Novik Premium Hand Cut & Novik Brick	1 3/4" (4.45cm)	6 1/4" (15.88cm)
Novik Hand Cut Stone	1 3/8" (3.49cm)	6" (15.24cm)
Novik Dry Stack	1 3/8" (3.49cm)	4 1/2" (11.43cm)
Novik Fieldstone and River Rock	2" (5.08cm)	All along

# NovikStone Premium Ledge INSTALLATION GUIDE



## INSTALLATION STEPS (CONTINUATION)

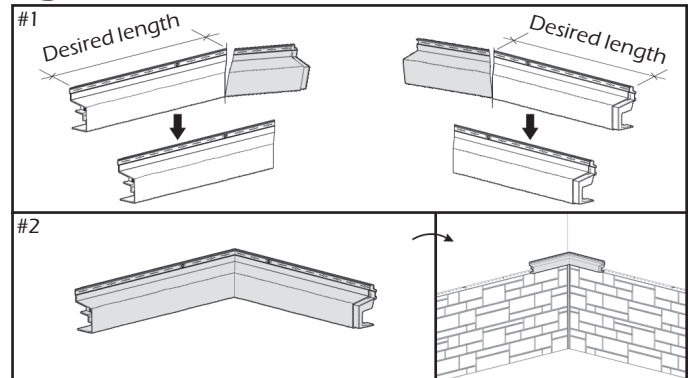
### INSIDE PREMIUM LEDGE CORNER

1-Finish an inside corner:

Assuming walls are perpendicular, cut the ends of the two ledges that are forming the inside corner of the wall to the desired length with facing 45° angles. Fasten the two pieces of ledge to the wall as specified in GENERAL INFORMATION ensuring the mitered cuts meet together (Figure B). Apply sealant over the joint if needed.

Note: Pay attention not to constrain the expansion and contraction movement of the ledges.

Figure B

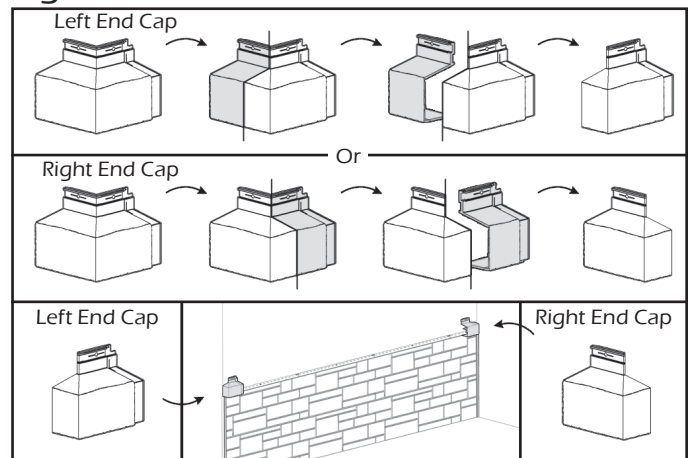


### PREMIUM LEDGE END CAP

1-To create a finished end (ledge cap):

Cut the rear portion of an Premium Ledge Corner flush with the adjacent side to form a ledge cap. Two configurations are possible depending on which side of the wall is ending (Figure C). Nail the ledge cap to the wall making sure it is level. Be sure to align Premium Ledge with end cap during installation.

Figure C



# NovikStone Premium Ledge INSTALLATION GUIDE



## INSTALLATION STEPS (CONTINUATION)

### PREMIUM LEDGE

1-Install Premium Ledges on walls by following one of the three options below (Figure D)

#### Option 1: Installing Premium Ledge over Full Novik Panels with Nailing Flange

For an installation over full Novik panels where the nailing flange is still attached, the bottom of the ledge sits directly on the panel nailing flange, concealing all fasteners. (Figure D, Option 1)

#### Option 2: Installing Premium Ledge over Cut Novik Hand Cut Stone, Premium Hand Cut, Cobblestone, Dry Stack and Novik Brick Panels

For an installation over Novik panels where the nailing flange has been cut off, the bottom of the ledge can be cut at its 1/2"(1.27cm) score line or its 1"(2.54cm) score line to provide enough clearance for the thickness of the panels. (Figure D, Option 2)

#### Option 3: Installing Premium Ledge over Cut Novik River Rock and Fieldstone Panels or other Thick Materials/Panels

For an installation over Novik River Rock and Fieldstone panels where the nailing flange has been cut off or any thicker siding materials or offset panels, the bottom of the ledge can be cut at its 2"(5.08cm) score line to provide enough clearance. (Figure D, Option 3)

2-Before making any cuts, it is suggested you plan your layout first. Measure the length of the wall between Premium Ledge Corners or End Caps, divide by 30"(76.2cm) and spread the cut of the first and last ledge to have equal lengths of ledge on the wall (Figure E).

3-To cut the length of the ledge, always cut from the left side. When fitting a cut end with a factory edge (right end of a ledge or a corner/end cap), the back of the cut nailing flange must be shaved to sit flush. Using a utility knife, a chisel or an angle grinder, shave the ribs behind the nailing flange on a length of approximately 1"(2.54cm). Make sure to also remove any feature on the inside of the ledge that may obstruct the insertion of the adjacent piece (Figure F).

Figure D

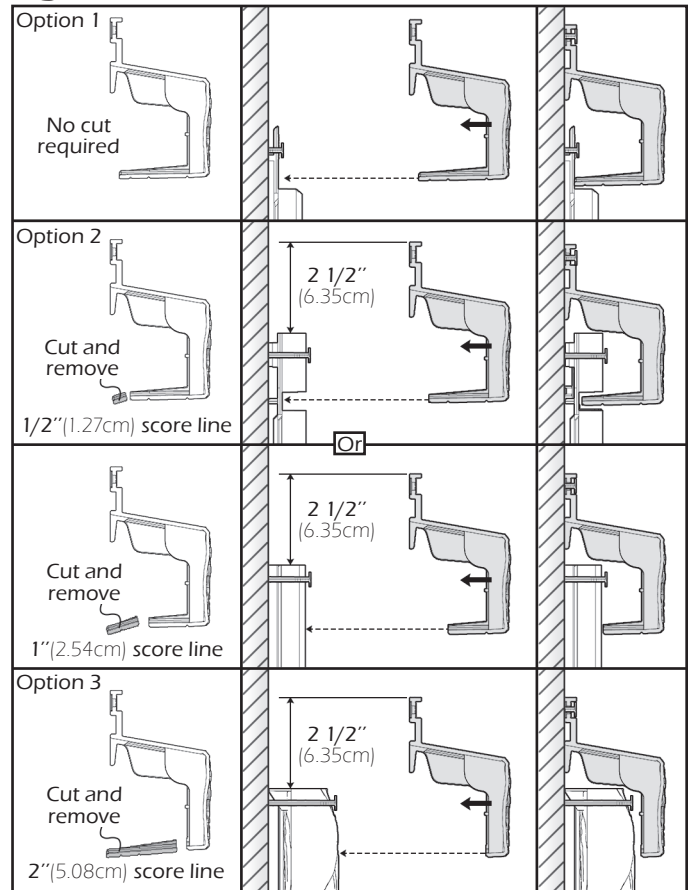


Figure E

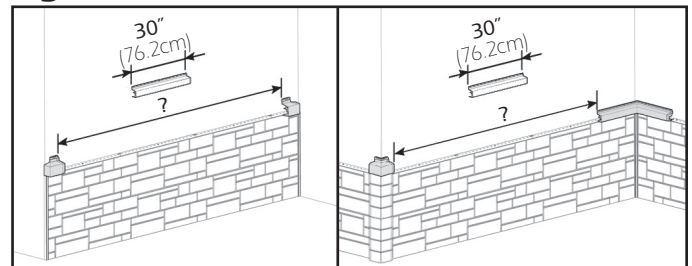
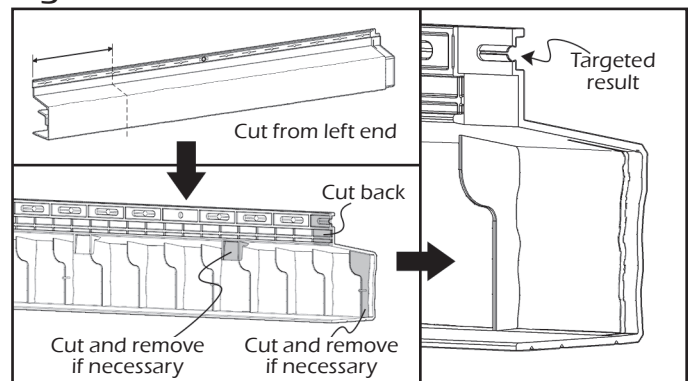


Figure F



# NovikStone Premium Ledge INSTALLATION GUIDE



## INSTALLATION STEPS (CONTINUATION)

### PREMIUM LEDGE (CONTINUATION)

4-Install the first ledge previously cut into the corner or end cap. Leave the required space between parts then nail it in place while making sure to keep it straight and level (Figure G). Repeat for all successive ledges until the end of the wall (Figure H).

Figure G

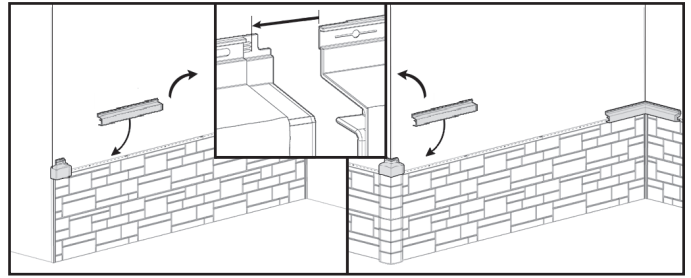
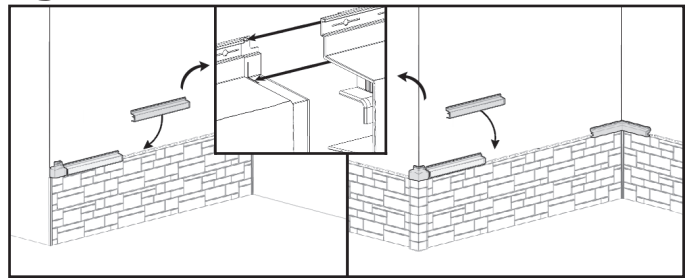


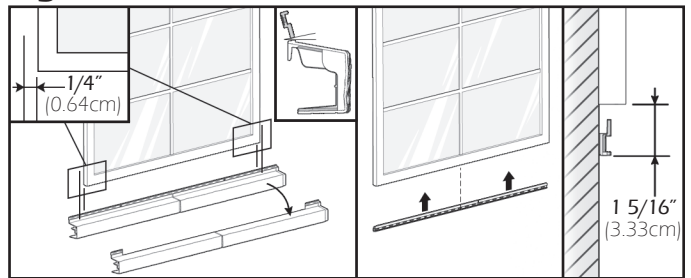
Figure H



### FINISH UNDER A WINDOW LEDGE

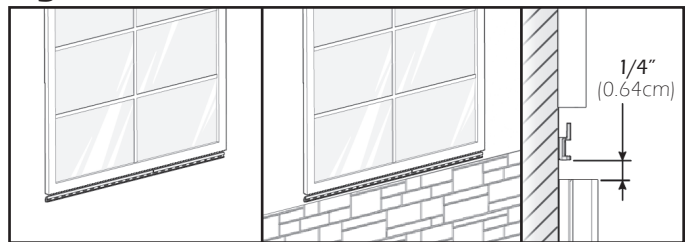
1-To install under a window ledge, carefully cut the nailing flange of the Premium Ledge required to cover the full length of the window plus an extra 1/4" (0.64cm) on both side of the window. **Keep the cut portion of all nailing flanges** and install them upside down, centered and at a distance of 1 5/16" (3.33cm) below the window (Figure I). Nail through the center hole and at both ends for all nailing flanges.

Figure I



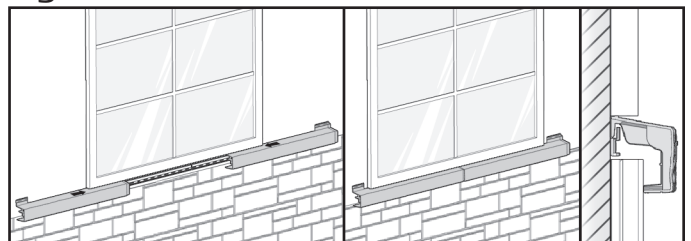
2-Install the siding below the window as specified in its own installation guide by leaving a distance of 1/4" (0.64cm) below the nailing flanges (Figure J).

Figure J



3-Take previously cut ledges and, if necessary, cut the bottom of ledges to allow a proper installation over the lower section siding (see Figure D, page 4). Slide the under hooks of the ledges onto the nailing flanges previously installed on the wall (Figure K). Make sure to leave the required space between each of them (Figure H) and nail in the remaining installation holes. Then, continue the regular installation of Premium Ledges until the end of wall.

Figure K



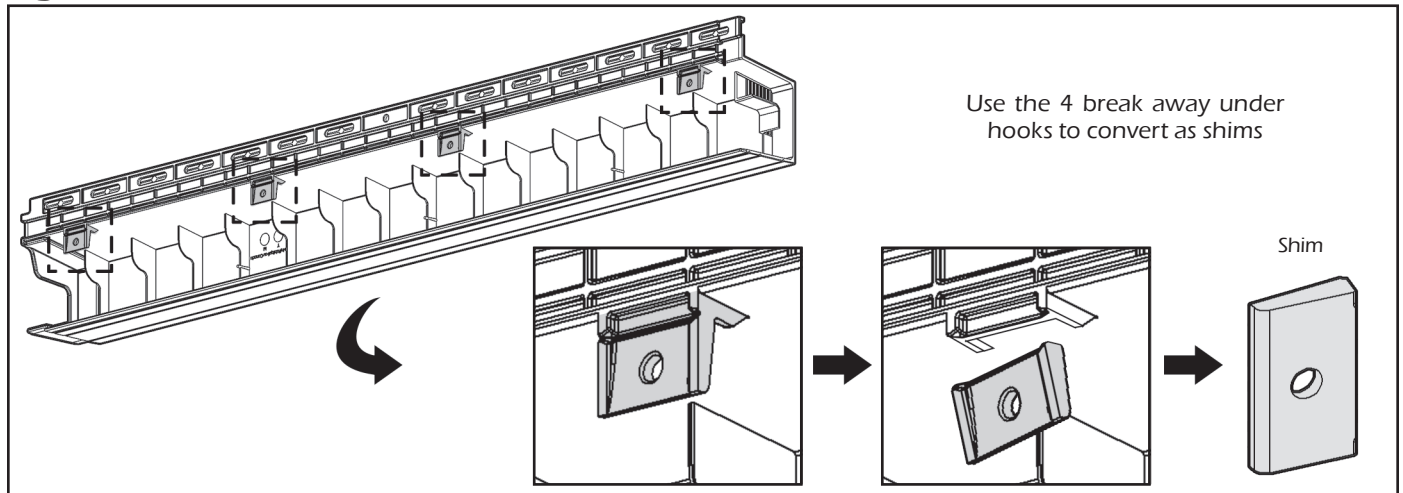
# NovikStone Premium Ledge INSTALLATION GUIDE



## INSTALLATION STEPS (CONTINUATION)

### UPPER WALL INSTALLATION

Figure L - If shims behind Premium Ledge are required



# NovikStone Premium Ledge INSTALLATION GUIDE



## INSTALLATION STEPS (CONTINUATION) UPPER WALL INSTALLATION (CONTINUATION) WITH POLYMER UNIVERSAL STARTER STRIP

To install siding above the Premium Ledge, follow the instruction below:

Scenario 1: Novik Hand Cut Stone, Novik Hand Split Shake, Novik Premium Hand Cut, Novik Cobblestone or Novik Brick over Premium Ledge

Insert the starter strip facing upwards into the nailing flange of the ledge. Nail through both starter strip and ledge nailing holes.

(Figure M - #1)

Scenario 2: Novik River Rock or Novik Fieldstone over Premium Ledge

Sit the starter strip facing upwards directly on the top of the ledge nailing flange. No shim is needed.

(Figure M - #2)

Scenario 3: Novik Dry Stack over Premium Ledge

Place the starter strip facing upwards 5/8" (1.59cm) above the top of the nailing flange of the ledge. No shim is needed.

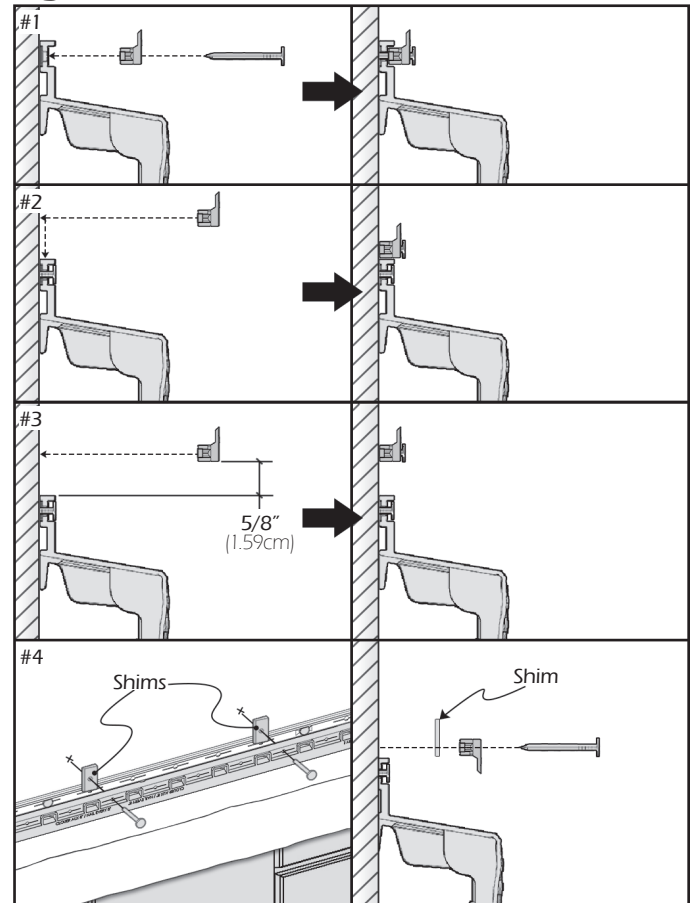
(Figure M - #3)

Scenario 4: Novik Northern Shake and Novik Rough Sawn Shake over Premium Ledge

Use the break away under hooks as shim (Figure L, page 7). Sit the starter strips facing downwards on the top of the nailing flange, and shim can be put between the wall and the starter strip to provide clearance and allow the Novik product insertion.

(Figure M - #4)

Figure M



Then, install the siding as specified in its own installation guide.

Note:

-Pay attention to not constrain the expansion and contraction movement of the ledges.

-If using a siding that is not mentioned in this guide, please refer to the manufacturer's installation manual.