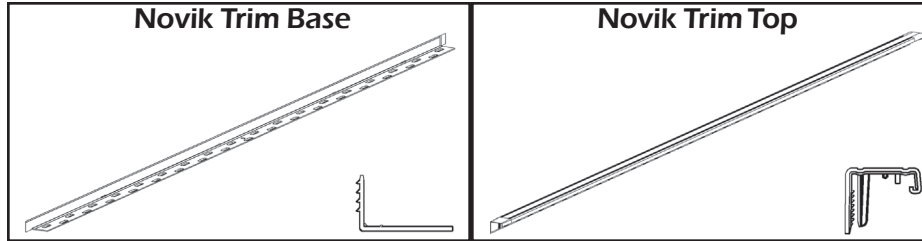


# NOVIK TRIM INSTALLATION GUIDE



**CAUTION: REMEMBER THAT POLYMERS UNDERGO EXPANSION AND CONTRACTION WITH VARIATIONS OF TEMPERATURE. THE FOLLOWING INSTRUCTIONS WILL ALLOW FOR THIS EXPANSION AND CONTRACTION OF THE MATERIAL.**

## Parts description

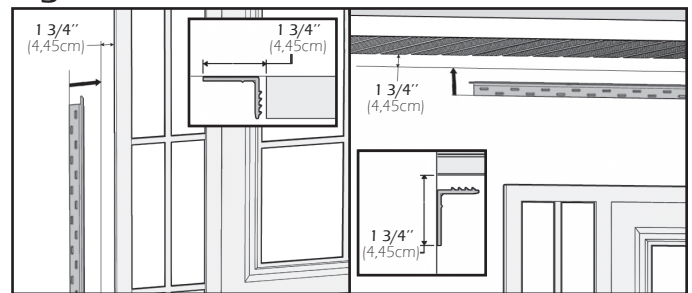


## SIDING SECTION - INSTALLATION STEPS

1-Locate where you want to install trim and make sure you have nailing in these locations. If installing on a furred wall, make sure to install furring on the nailing locations.

2.A-Installation around windows and doors or under soffit:  
Position trim base on the wall keeping 1 3/4"(4,45cm) between the base and the window, door or soffit (Figure 1). Nail as specified in Step 3.

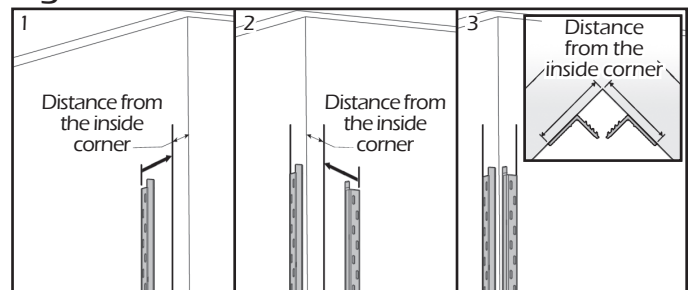
Figure 1



2.B-Installation of an inside corner:  
Position trim base on the wall keeping required distance according to product depth (See chart below and Figure 2). Nail as specified in Step 3.

Siding depth	Distance from the inside corner
5/8"(1,59cm)	2 13/16"(7,14cm)
3/4"(1,91cm)	2 7/8"(7,30cm)
7/8"(2,22cm)	2 15/16"(7,46cm)
1"(2,54cm)	3 1/16"(7,78cm)

Figure 2



# NOVIK TRIM INSTALLATION GUIDE



## SIDING SECTION - INSTALLATION STEPS (CONTINUATION)

### 2.C-Installation back to back:

Position base according to desired division of the wall (Figure 3, #1) and nail as specified in Step 3. Install siding for the first section of the wall (Step 5) and clip trim top (Step 6). Pre-assemble the bases and caps (Figure 3, #2) for the other side of the wall division, place back to back with previously installed trim (Figure 3, #3) and nail as specified in Step 3. Remove trim tops from the bases you just nailed in (Figure 3, #4) so you can install siding on the section of the wall (Figure 3, #5 and Step 5) then clip trim tops back on bases (Step 6).

3-Nail down the center nail first. Make sure the base is straight and leveled. Put nails in the center of each nailing slot on each side of the center hole. A minimum of 7 nails is required per full-length base. Never hammer the nails completely down. Always leave 1/16"(0,16cm). Figure 4

4-To install a second base, align the end of the base on the guide line (Figure 5) and nail base as specified in Step 3.

5-Install siding or roofing following the guide line located on the base (Figure 6, #1).

6-Clip trim tops on the base starting with one end of the top. Press gradually along the trim until top is clipped uniformly and at the right depth (Figure 6, #2). Make sure each clip is engaged.

7-To put two tops together, slide second part in the first part following the guide line (Figure 6, #3).

Figure 3

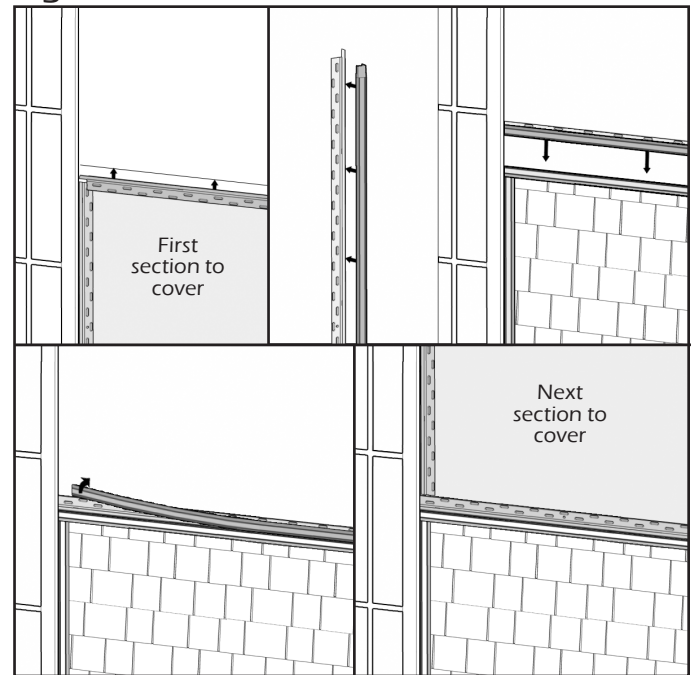


Figure 4

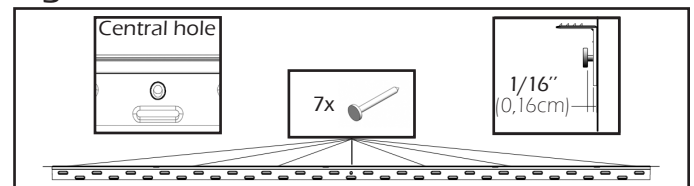


Figure 5

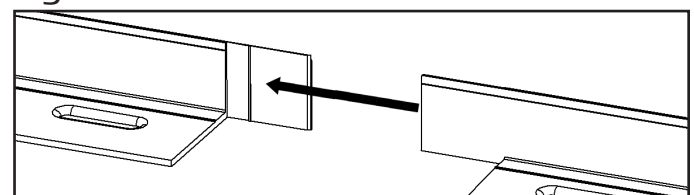
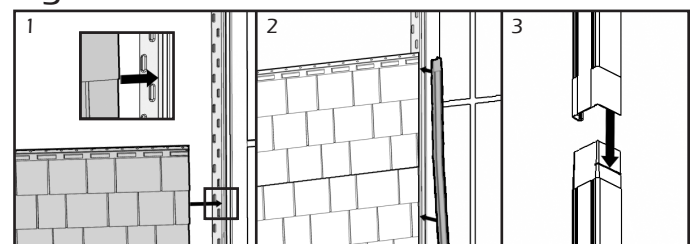


Figure 6



# NOVIK TRIM INSTALLATION GUIDE

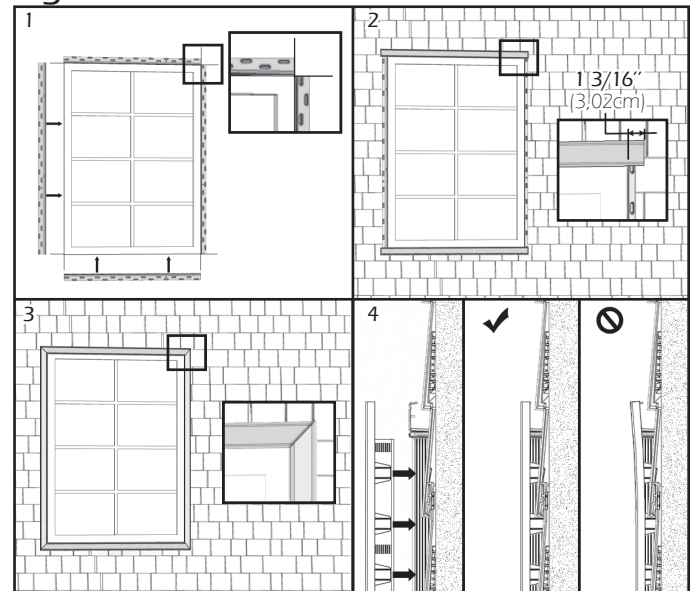


## SIDING SECTION - INSTALLATION STEPS (CONTINUATION)

### 8-Finishing the corner of a window or door:

Install bases around window or door as specified in Step 2.A and make sure that they don't exceed the window or door frame on each side (Figure 7, #1). Install siding as specified in Step 6. Cut the horizontal trim tops in straight edge and make sure they exceed by  $1\frac{3}{16}$ " (3,02cm) the window or door framing on both sides and, clip them onto the bases (Figure 7, #2). Cut the vertical trim tops with an angle of  $45^\circ$  and make sure they overlap horizontal trim tops. Clip them on the bases (Figure 7, #3). Engage properly all hooks of trim tops. Do not push too much on vertical trim tops to not deform the ends that overlapping the horizontal trim tops (Figure 7, #4).

Figure 7



## SIDING SECTION - INSTALLATION TIPS

1-Pay special attention to the position of trim moldings junctions. For example, when finishing around the door, make sure the seams are at the bottom of the door to make it more subtle (Figure 8).

2-To facilitate the installation of trim bases around windows and doors, you can use waste pieces of trim tops to help positioning the bases. To do so, assemble the trim cap pieces on bases before positioning them on the wall. Push the assembly on the window or door frame and nail on each side of the pieces. Nail gradually throughout the base by sliding the pieces to maintain a proper positioning. Remove the pieces once nailing is completed and continue with the installation of another base or installation of siding (Figure 9).

Figure 8

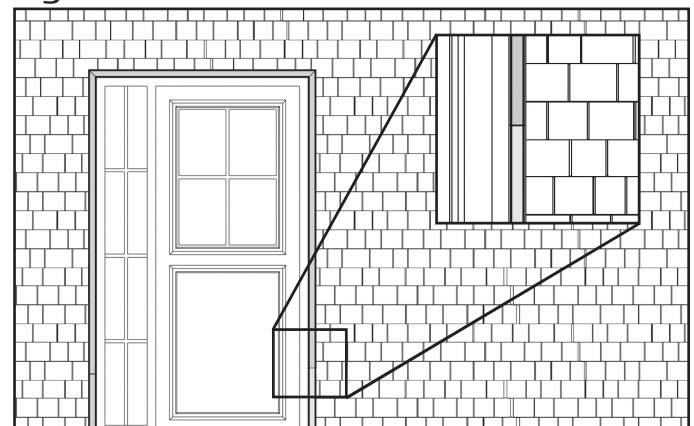
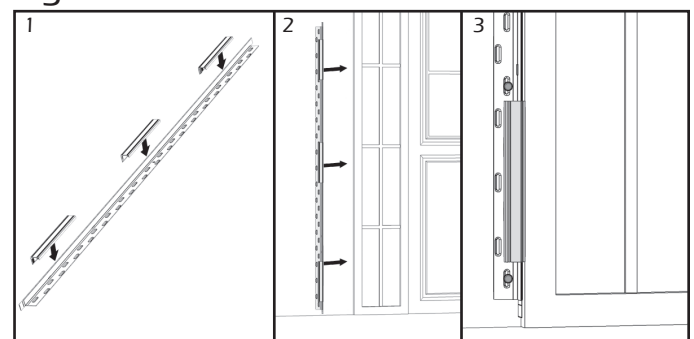


Figure 9



# NOVIK TRIM INSTALLATION GUIDE

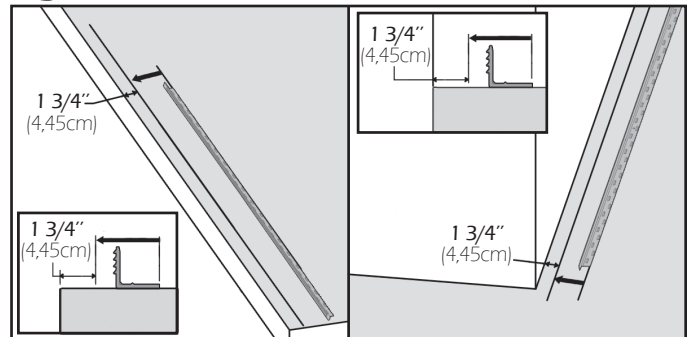


## ROOFING SECTION - INSTALLATION STEPS

1-Locate where you want to install trim and make sure you have nailing in these locations.

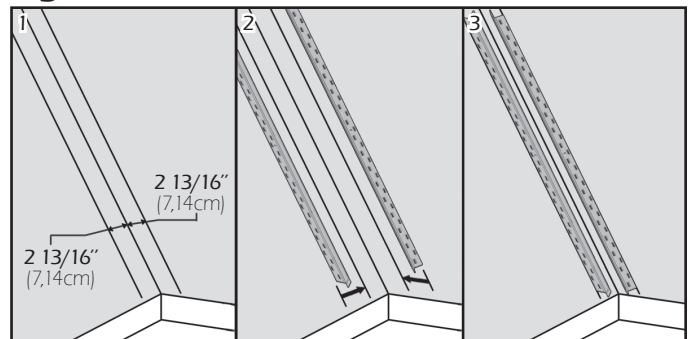
2.A-Installation at the edge of a roof or near a wall:  
Mark a line at  $1\frac{3}{4}$ " (4,45 cm) from the edge of the roof or walls and position the rear of the bases at the line (Figure 1). Then nailed as specified in step 3.

Figure 1



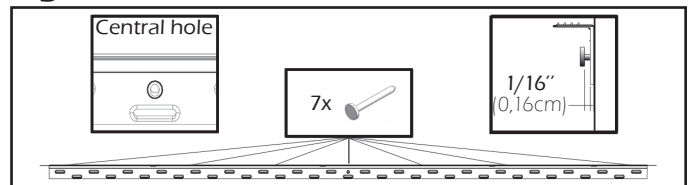
2.B-Installation in a valley:  
Mark a line at  $2\frac{13}{16}$ " (7,14 cm) on both sides of the valley. Position bases back to back on each side of the valley and align the rear edge of the bases on the line (Figure 2). Then nail as specified in Step 3.

Figure 2



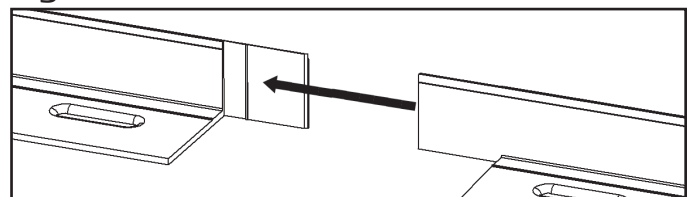
3-Nail down the center nail first. Make sure the base is straight and nail in the center of each nailing slot on each side of the center hole. A minimum of 7 nails is required per full-length base. Never hammer the nails completely down. Always leave  $\frac{1}{16}$ " (0,16 cm). Figure 3

Figure 3



4-To install a second base, align the end of the base on the guide line (Figure 4) and nail base as specified in Step 3.

Figure 4



# NOVIK TRIM INSTALLATION GUIDE

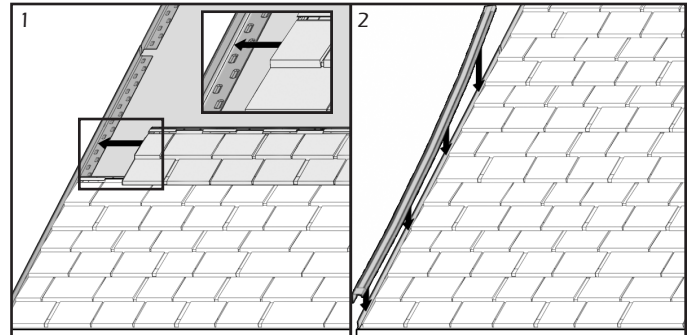


## ROOFING SECTION - INSTALLATION STEPS (CONTINUATION)

5-Install siding or roofing following the guide line located on the base (Figure 5, #1).

6-Clip trim tops on the base starting with one end of the top. Press gradually along the trim until top is clipped uniformly and at the right depth (Figure 5, #2). Make sure each clip is engaged.

Figure 5



7-To put two tops together, slide second part in the first part following the guide line (Figure 6).

Figure 6

